

Rainier™ Diverter Trim, Shower and Tub Combination (Valve not included)

FEATURES:

- CPT-8401-P: Diverter Shower Valve Trim
- S-3018: Shower Head 2.5 GPM (9.5 L/min) flow rate
- S-2550: Shower Arm & Flange
- S-1563: Tub Spout

VALVE OPTIONS:

- CPV-PB-DV: Pressure Balance Diverter Valve Sweat & Thread Connections
- CPV-PB-DV-PXC: Pressure Balance Diverter Valve PEX F1807 Crimp Inlet Connections
- CPV-PB-DV-PXE: Pressure Balance Diverter Valve PEX F1960 Cold-Expansion Inlet Connections
- CPV-T2-DV: Thermostatic Diverter Valve Sweat & Thread Connections
- CPV-T2-DV-PXC: Thermostatic Diverter Valve PEX F1807 Crimp Inlet Connections
- CPV-T2-DV-PXE: Thermostatic Diverter Valve PEX F1960 Cold-Expansion Inlet Connections

STOCK FINISHES:



PC

STANDARDS:

- ASME A112.18.1/CSA B125.1 certified
- ADA Compliant

WARRANTY:

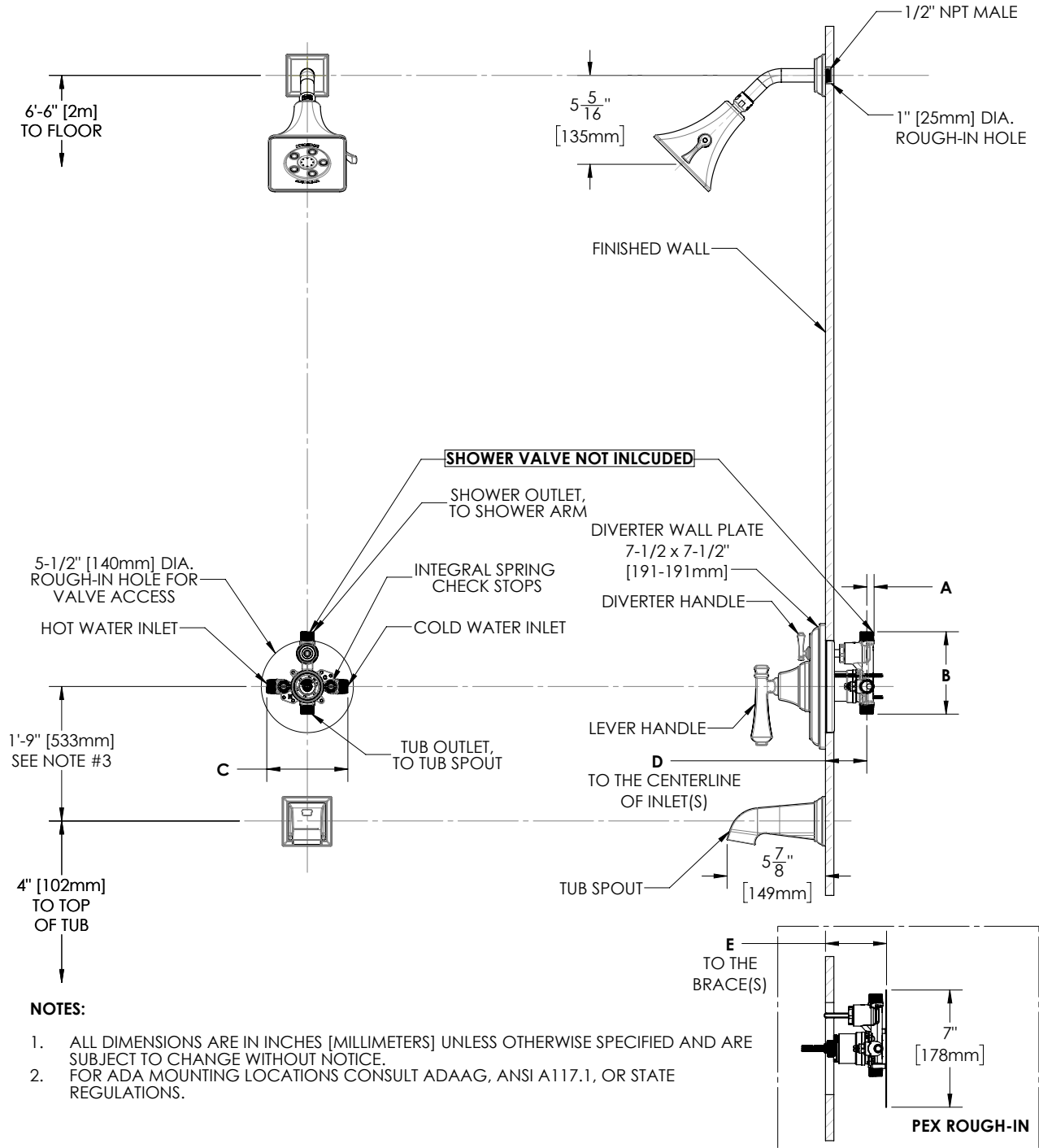
Visit www.speakman.com for full product warranty information

- See Speakman.com For Warranty Information



Information continues on next page

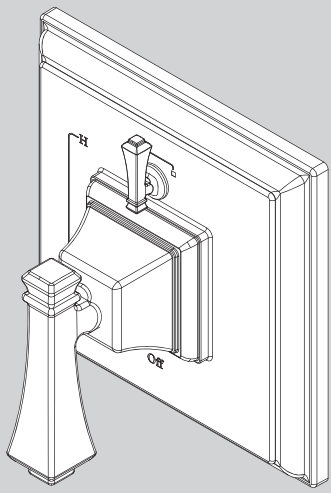
Rainier™ Diverter Trim, Shower and Tub Combination (Valve not included)



DIMENSION	CPV-PB-DV	CPV-T2-DV	CPV-PB-DV-PXC	CPV-PB-DV-PXE	CPV-T2-DV-PXC	CPV-T2-DV-PXE
A	7/16" (11mm)	9/16" (14mm)	7/16" (11mm)		9/16" (14mm)	
B	4-15/16" (125mm)	5-1/16" (128mm)	4-15/16" (125mm)		5-1/16" (128mm)	
C	4-13/16" (123mm)	5-7/8" (150mm)	4-13/16" (123mm)		5-7/8" (150mm)	
D	2-1/2" (63mm) MIN TO 3-1/2" (89mm) MAX					
E			3-1/8" (79mm) MIN TO 4-1/8" (105mm) MAX		3-3/16" (81mm) MIN TO 4-3/16" (106mm) MAX	

INSTRUCTIONS FOR MODELS

CPT-8401-P



NEED HELP?

For additional assistance or service please contact:

SPEAKMAN®

800-537-2107

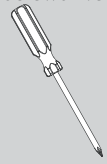
customerservice@speakman.com

www.speakman.com

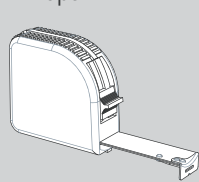
92-CPT-8401-P-02

TOOLS AND SUPPLIES

Phillips
Screwdriver



Measuring
Tape



IMPORTANT



- Do not over-tighten any connections or damage may occur.
- Be sure to read instructions thoroughly before beginning installation.
- Be sure to have properly adjusted the Temperature Limiting Stop (TLS) as per the Valve Installation Instructions before installing Valve Trim.

SAFETY TIPS

Cover your drain to prevent loss of parts.

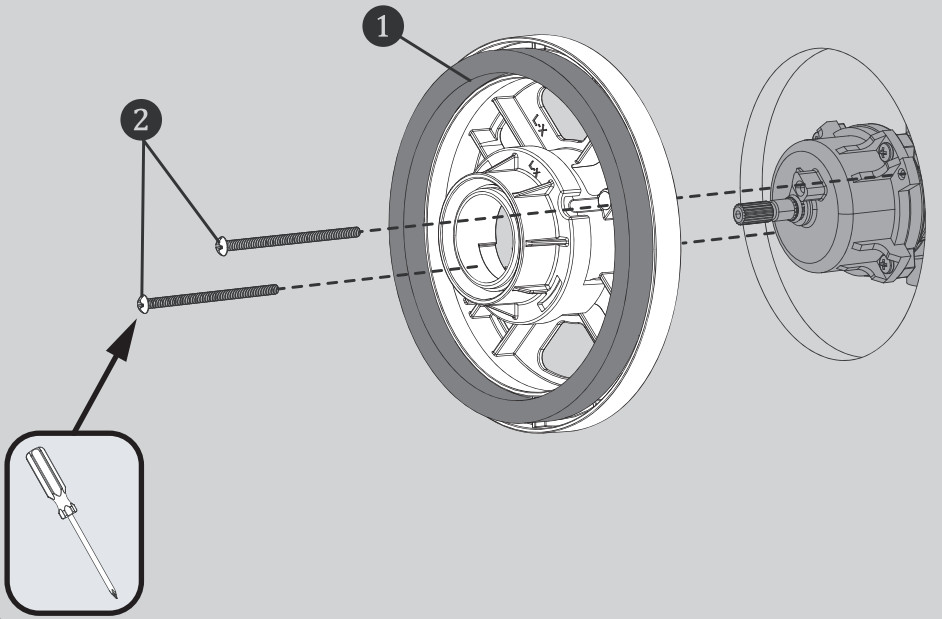
MAINTENANCE

Your new Speakman Product is designed for years of trouble-free performance. Keep it looking new by cleaning it periodically with a soft cloth. The use of harsh chemicals and abrasives on any of the Speakman custom finish products may damage the finish and void the product warranty. Please be sure to only use approved cleaners. Please contact Speakman for any clarification of acceptable cleaners.

WARRANTY

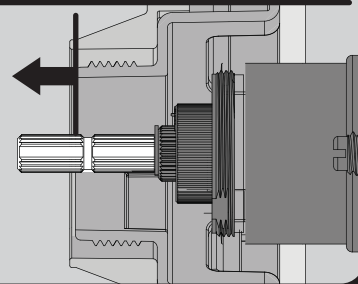
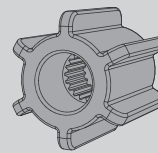
Warranty information can be found at:
www.speakman.com

1 Clean wall surface. Place Mounting Base (1) onto the valve, align mounting holes, and secure with supplied screws (2).

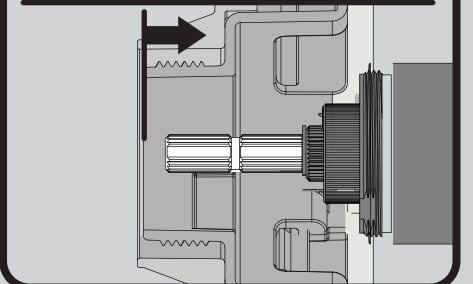
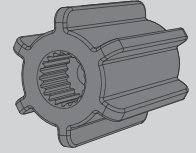


2 Verify the position of the Spindle within the Mounting Plate as shown below. If the end of the Spindle extends beyond the inside lip of the Mounting Plate, then use the Shallow Mount Adapter. If the end of the Spindle is flush to, or is within the Mounting Plate, then use the Deep Mount Adapter.

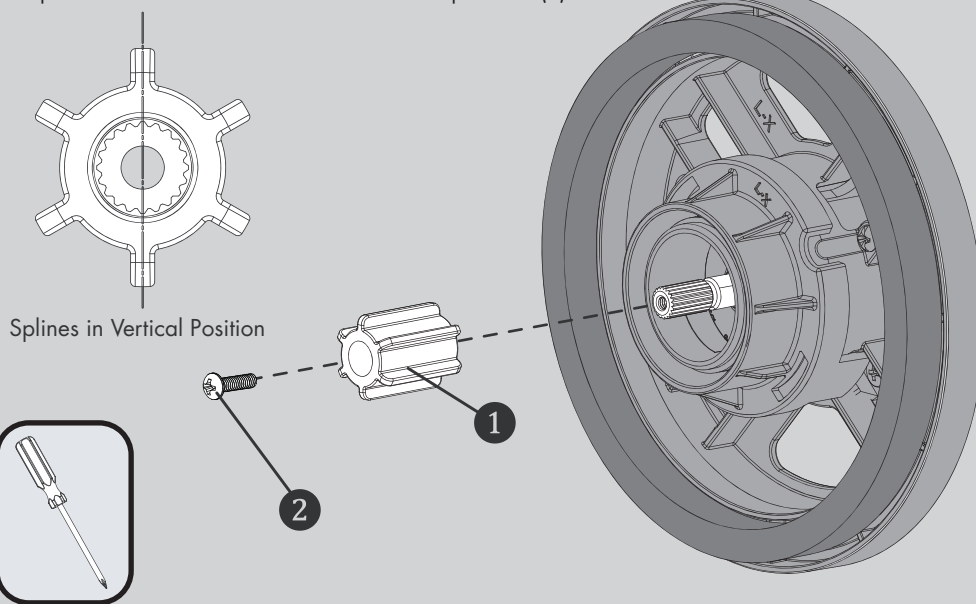
FOR SHALLOW MOUNT APPLICATION



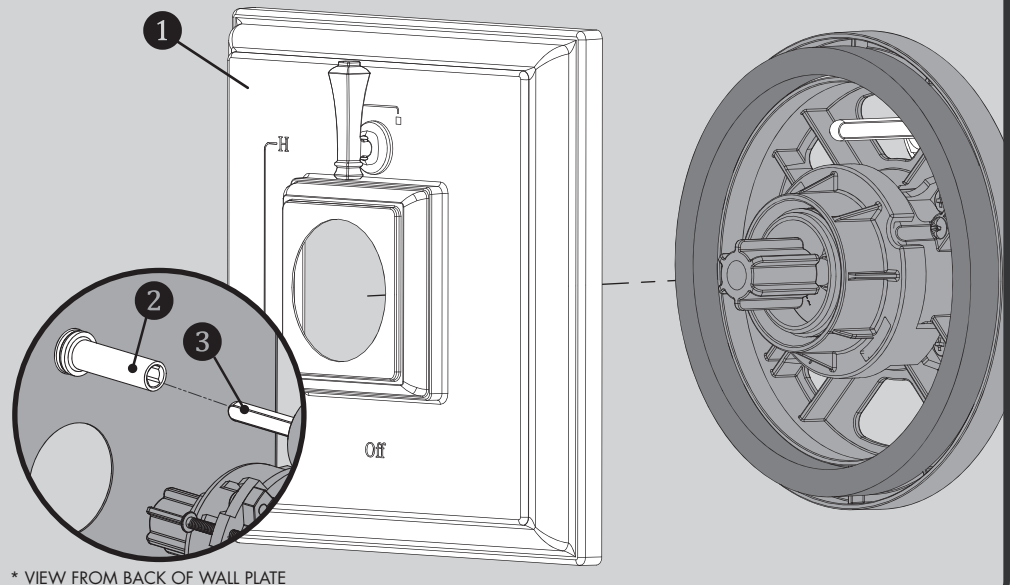
FOR DEEP MOUNT APPLICATION



3 Confirm that Valve is in the "Off" position. Place appropriate Connector (1) on to the Spindle of the Valve, making sure to orient the Connector so that one set of Splines are in a perfectly vertical position. Secure Connector with 8-32 screw provided (2).

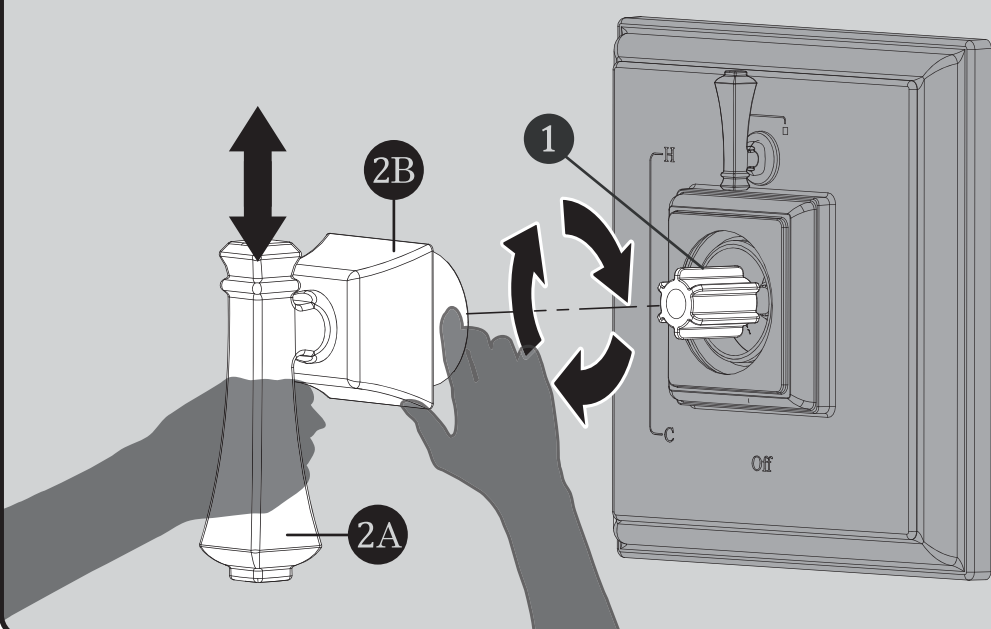


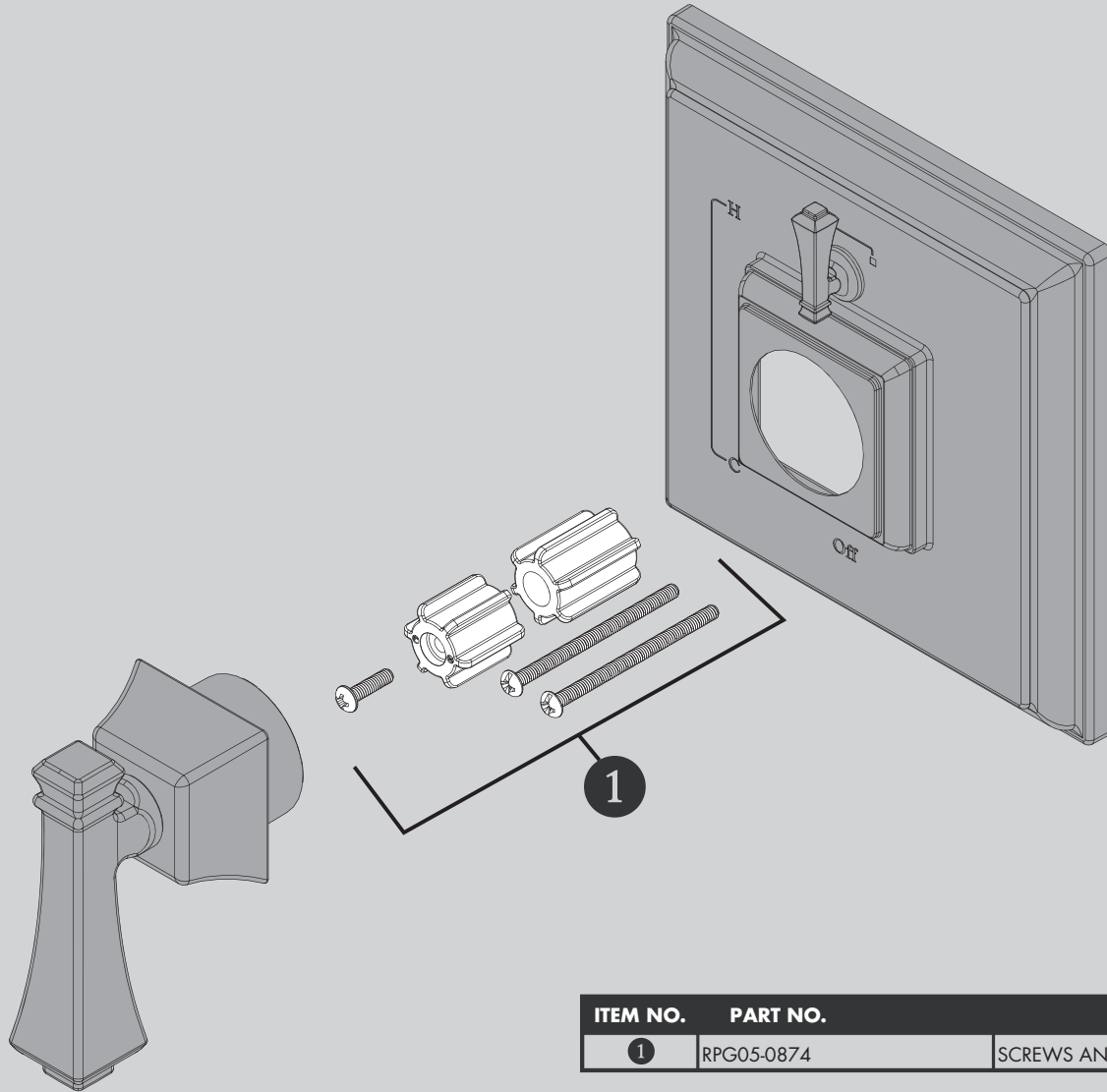
4 Place Wall Plate (1) on Mounting Base. Take care to orient the Wall Plate as shown below. Verify the Diverter Valve Stem is in the OFF (vertical) position. Align the Diverter Drive Tube (2) on the Wall Plate to the Stem (3) of the Diverter Valve.



* VIEW FROM BACK OF WALL PLATE

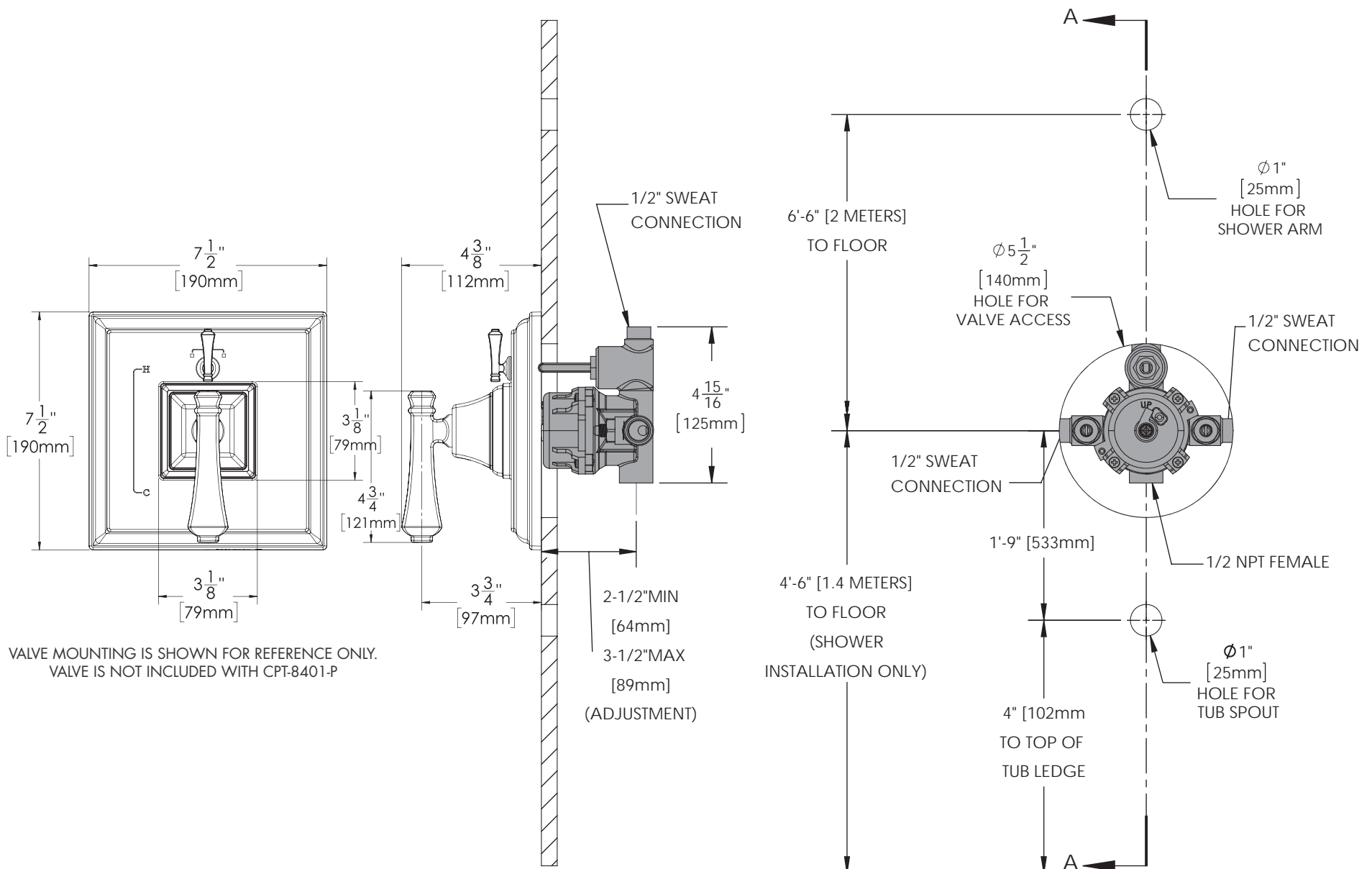
5 Align Handle Assembly with Connector (1) and Escutcheon. Keep Handle (2A) in a stationary vertical position as you thread Handle Hub (2B) onto the Mounting Base. Tighten until snug.





ITEM NO.	PART NO.	DESCRIPTION
1	RPG05-0874	SCREWS AND SPLINE ADAPTERS

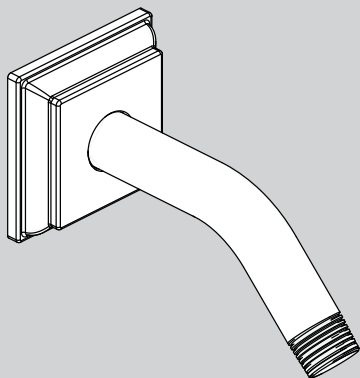
CPT-8401-P ROUGH-IN DIAGRAM



DIMENSIONS SUBJECT TO CHANGE WITHOUT NOTICE.

INSTRUCTIONS FOR MODELS

S-2550



NEED HELP?

For additional assistance or service please contact:

SPEAKMAN® Company
400 Anchor Mill Road
New Castle, DE 19720

800-537-2107

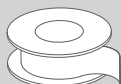
customerservice@speakman.com

www.speakman.com

92-S-2550-R3

TOOLS AND SUPPLIES

Thread Seal
Tape



Allen Wrench
(Included)



IMPORTANT



Be sure to read instructions thoroughly before beginning installation. Do not overtighten any connections or damage may occur.

SAFETY TIPS

Cover your drain to prevent loss of parts.

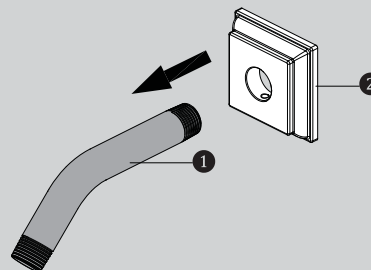
MAINTENANCE

Your new Shower Arm is designed for years of trouble-free performance. Keep it looking new by cleaning it periodically with a soft cloth. Avoid abrasive cleaners, steel wool and harsh chemicals as these will dull the finish and void your warranty.

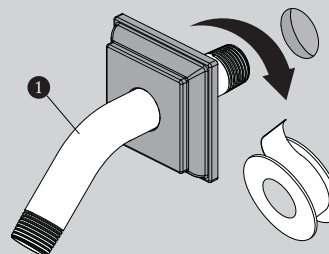
WARRANTY

Additional warranty information can be found at:
www.speakman.com

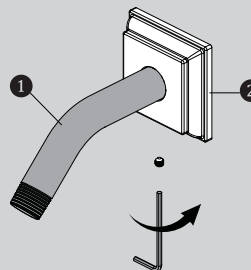
- 1 Slide Escutcheon Plate (2) over the long end of the Shower Arm (1).



- 2 Apply Teflon Tape to inlet side of Shower Arm (1). Thread Shower Arm (1) into Female Pipe Fitting within the wall. Firmly tighten, and make sure Shower Arm (1) Outlet is pointing in a downward position.

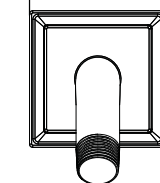


- 3 Position Escutcheon Plate (2) flat against wall. Secure Escutcheon Plate (2) to Shower Arm (1) by tightening set screw with allen wrench (Hex: 2.5mm) provided.

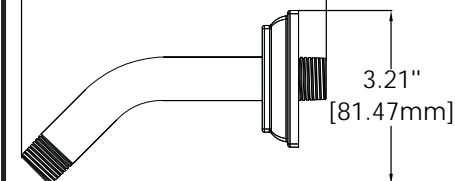


ROUGH IN DIMENSIONS

2.52"
[64.00mm]



5.62"
[142.76mm]



3.21"
[81.47mm]

M5X0.8-6g

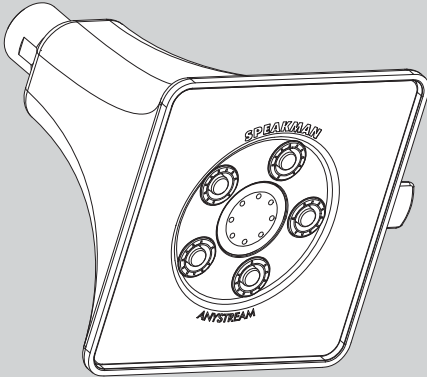
Specifications:

Supply Inlet: 1/2" NPT MALE

Outlet: 1/2" NPT MALE

INSTRUCTIONS FOR MODELS


S-3018
S-3018-E2
S-3018-E175



NEED HELP?

For additional assistance or service please contact:

SPEAKMAN® Company
400 Anchor Mill Road
New Castle, DE 19720

 800-537-2107

 customerservice@speakman.com

 www.speakman.com

92-S-3018-04

TOOLS AND SUPPLIES

Thread Seal
Tape
(included)



Adjustable
Wrench



IMPORTANT



Be sure to read instructions thoroughly before beginning installation. Do not overtighten any connections or damage may occur.

SAFETY TIPS

Cover your drain to prevent loss of parts.

MAINTENANCE

Periodic cleaning using a mild soap and warm water will help keep your Shower Head's appearance in its original condition.

For best results, dry immediately with a soft, clean cloth. **DO NOT USE** harsh and/or abrasive cleaners.

To help restore the finish, occasionally apply a non-abrasive wax to your shower head body (follow manufacturers' instructions).

On **CHROME PLATED SHOWER HEADS**, a two (2) part white vinegar, one (1) part water solution can be used to break down excessive mineral deposits on the sprays. Let the shower head soak in the solution for about ½ hour then rinse thoroughly. Brush off any remaining mineral deposits if necessary.

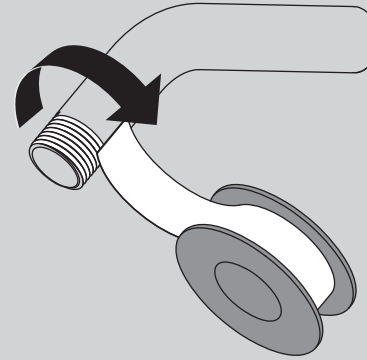
DO NOT USE the vinegar/water treatment on any finish other than Chrome.

To reduce mineral build-up, turn the handle to **FLOOD** position to let the water drain out after every use.

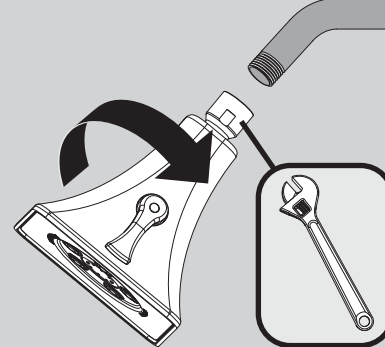
WARRANTY

Additional warranty information can be found at:
www.speakman.com

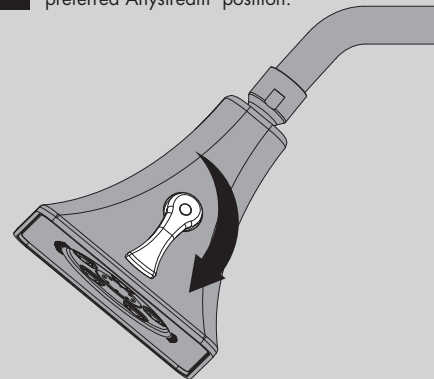
1 Apply Thread Seal Tape to the outlet side of shower arm in a clockwise direction.



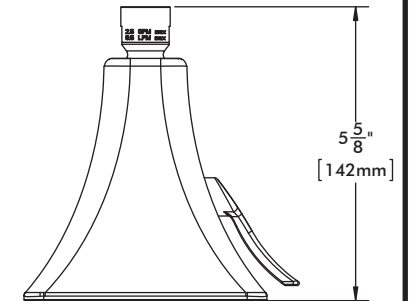
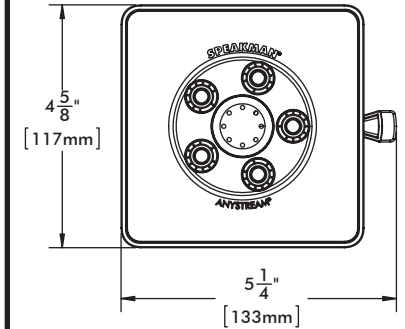
2 Thread Shower head onto shower arm by turning it in a clockwise direction. Tighten with adjustable wrench. Turn water supply on and check for leaks.



3 Adjust spray pattern by rotating side handle to preferred Anystream® position.



ROUGH IN DIMENSIONS



Model: S-3018
Max. Flow Rate: 2.5 gpm (9.5L/min)
Min. Flow Rate: 2.0 gpm (7.6 L/min) @ 45psi
FOR USE WITH AUTOMATIC COMPENSATING VALVES RATED AT 7.6 L/MIN (2.0 GPM) OR LESS.

Model: S-3018-E2
Max. Flow Rate: 2.0 gpm (7.6 L/min)
Min. Flow Rate: 1.5 gpm (5.7 L/min) @ 45psi
FOR USE WITH AUTOMATIC COMPENSATING VALVES RATED AT 6.6 L/MIN (1.75 GPM) OR LESS.

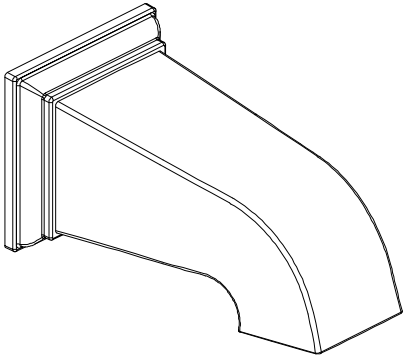
Model: S-3018-E175
Max. Flow Rate: 1.75 gpm (6.6 L/min)
Min. Flow Rate: 1.3 gpm (4.9 L/min) @ 45psi
FOR USE WITH AUTOMATIC COMPENSATING VALVES RATED AT 5.7 L/MIN (1.5 GPM) OR LESS.

Specifications:

Inlet: 1/2" NPT FEMALE

Instructions for Models:

S-1563



Need Help?

For additional assistance or service call:

SPEAKMAN Company
400 Anchor Mill Road
New Castle, DE 19720

PHONE: 800-537-2107
EMAIL: customerservice@speakmancompany.com
WEB: www.speakmancompany.com

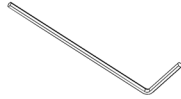
92-3321-R1

What You Need To Know:

Tools:

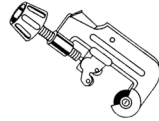
Required:

*Allen Wrench (Included)

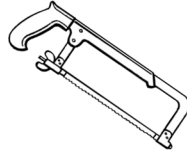


Helpful:

* Tubing Cutter



*Hacksaw



*Protective Eye Wear



Important Notes:

Be sure to read instructions thoroughly before beginning installation. Do not overtighten any connections or damage may occur.

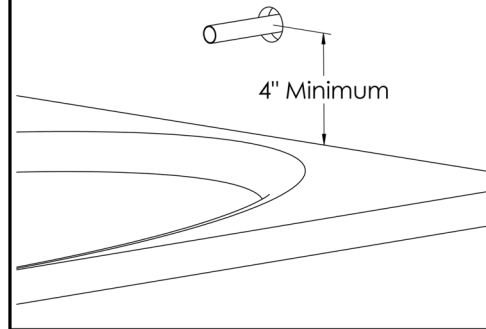
Safety Tips:

Cover your drain to prevent loss of parts.
Be sure to wear eye protection while cutting pipe.

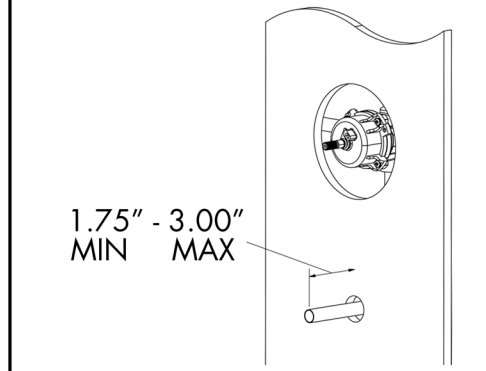
Maintenance:

Your new Tub Spout is designed for years of trouble-free performance. Keep it looking new by cleaning it periodically with a soft cloth. Avoid abrasive cleaners, steel wool, and harsh chemicals as these will dull the finish and void your warranty.

① The minimum distance between the center off the tub spout and the rim of the tub should be no less than 4".



② The stub out for the 1/2" pipe should extend a minimum of 1.75" from the wall, but not to exceed 3" from wall. Remove all burrs and sharp edges from the stub out 1/2" pipe.



③ Slide spout (1) over exposed stub out pipe until flush to wall. Center the spout (1) on the wall and tighten set screw (2) from underneath with Allen wrench

